

Aluminium greenhouse

with 1 roof window, including foundation 4.75 m²

DE Gebrauchs- und Montageanleitung

EN Operating and assembly instructions

FR Instructions d'utilisation et de montage

IT Istruzioni per l'uso e il montaggio

ES Instrucciones de montaje y de uso

Art. - no.:
21044



DEUTSCH Willkommen bei der Juskys Gruppe GmbH

Vielen Dank für Ihr Vertrauen. Wir freuen uns, dass Sie sich für unser Produkt entschieden haben und wünschen Ihnen viel Freude damit.

ENGLISH Welcome to Juskys Gruppe GmbH

Thank you for your trust. We are glad that you have chosen our product and wish you much pleasure with it.

FRANÇAIS Bienvenue à Juskys Gruppe GmbH

Nous vous remercions de votre confiance. Nous sommes heureux que vous ayez choisi notre produit et vous souhaitons beaucoup de plaisir avec celui-ci.

ITALIANO Benvenuti a Juskys Gruppe GmbH

Grazie per la vostra fiducia. Siamo lieti che abbiate scelto il nostro prodotto e vi auguriamo di poterlo utilizzare con piacere.

ESPAÑOL Bienvenido a Juskys Gruppe GmbH

Gracias por su confianza. Nos alegramos de que haya elegido nuestro producto y le deseamos que disfrute mucho con él.

 **Juskys Gruppe GmbH ©**

Leibnizstraße 1 | 38228 Salzgitter | GERMANY | www.juskys.de | www.artsauna.de | info@juskys.de

DEUTSCH / ENGLISH / FRANÇAIS / ITALIANO / ESPAÑOL

1. Deutsch	4
2. English	10
3. Français	16
4. Italiano	22
5. Español	28

Content

1. For your safety	10
1.1 For your safety	10
1.2 Use as intended	10
1.3 Improper use	10
1.4 Target group	10
1.5 Warning levels	10
1.6 Symbols	10
1.7 Safety instructions	11
2. Description and function	11
3. Unpack and check	11
3.1 Unpacking the product	11
4. Select location	11
4.1 Installing the greenhouse on the wooden foundation	12
4.2 Installing the greenhouse on concrete slabs	12
5. Mounting	12
5.1 Mounting the multi-skin panels	12
5.2 Assemble the greenhouse	12
6. Setting up	13
6.1 Sink the greenhouse into the ground	13
6.2 Set the greenhouse in concrete	13
7. Transport	13
8. Use	13
9. Cleaning and maintenance	13
9.1 Cleaning	13
9.2 Maintenance plan	14
10. Repairing	14
11. Disassembly	14
12. Store	14
13. Technical data	14
14. Disposing	14
14.1 Packaging	14
14.2 Product in general	14
15. Part list	34
16. Assembly	37

1. For your safety

1.1 For your safety

- ▶ Read this document carefully and completely.
- ▶ Follow the instructions and safety information in this document and on the product.
- ▶ Only use the product in perfect technical condition and in a safety-conscious and risk-aware manner.
- ▶ Keep this document for future reference and forwarding, as well as available near the product.

1.2 Use as intended

The product has been developed exclusively for private use.

- ▶ Only use the product as an outdoor greenhouse.
- ▶ Only use the product fully assembled and secured on a solid base.
- ▶ Only use the product in its original condition, with the original parts supplied and/or spare parts approved by the producer.
- ▶ Only have repairs carried out by qualified personnel.

Any other use is considered improper use and can result in severe personal injury and damage to property.

We accept no liability for non-compliance with instructions, safety instructions and improper use or any resulting damage to persons or property.

1.3 Improper use

The product is not suitable for commercial purposes.

The product is not a toy.

- ▶ Do not use the product with defective parts.
- ▶ Do not block any openings and accesses.
- ▶ Do not block the door, it also serves as an escape way.
- ▶ Do not operate or store heat sources such as fires or barbecues inside the product.
- ▶ Do not use the product near heat sources such as barbecues, radiant heaters, candles or open fires.
- ▶ Avoid assembling, disassembling and setting up the product during strong wind blasts, heavy rain, thunderstorms or hail.
- ▶ Do not hang heavy objects on the product.
- ▶ Do not place heavy objects on the product.
- ▶ Do not stand on the product.
- ▶ Remove snow masses from the roof immediately. There is a risk of collapse.

1.4 Target group

Users are adults and children over 12 years under adult supervision, who have read and understood these instructions and the markings on the product or have received comparable instruction with regard to use and safety instructions.

Persons with physical or mental disabilities/children/pregnant women may only use the product under the supervision of an adult.

Assembly work, maintenance work and cleaning may not be carried out by the aforementioned persons.

Users may only use the product when they are in full physical, mental and sensoric abilities, i.e. when they are awake and sober.

Skilled personnel are people who have received specialist mechanical training, such as trained craftsmen, metalworkers etc.

1.5 Warning levels

DANGER

Warning of dangers that will lead **directly to death** or serious injuries if the measures are ignored.

WARNING

Warning of dangers that can result in **death or serious injury** if the measures are ignored.

CAUTION

Warning of dangers that can lead to **injuries** if the measures are ignored.

NOTICE

Warning of dangers that can lead to **material damage** if the measures are ignored.

1.6 Symbols

Symbol Description



This symbol indicates that the user should have read and understood the instructions before use.



This symbol indicates that the user should wear protective gloves when working on the product.



This symbol indicates that work on the product should be performed with at minimum one other person.



Non-sequential instructions for action.



The international recycling symbol indicates recyclable material.



This symbol indicates that the use of electric screwdrivers is prohibited.

1.7 Safety instructions

CAUTION

Risk of tipping and crushing.

Tipping over the product can cause personal injury and damage to property.

- ▶ Set up the product in a stable position and anchor it in the ground, see chapter 5 „**Setting up**“.

CAUTION

Heat stroke!

- ▶ Only stay inside the product for a short time in high temperatures and high humidity and leave it immediately if you feel unwell.

CAUTION

Injuries and property damage.

Modification of the product may result in personal injury and property damage and will void the warranty.

- ▶ Only use the product with the original parts supplied and in the original condition.
- ▶ Only use spare parts approved by the manufacturer.

CAUTION

Risk of injury from cutting.

- ▶ Do not handle parts such as broken or burr-containing materials with bare hands.
- ▶ Use suitable protective equipment and tools.

NOTICE

Material damage due to heat sources.

The product consists of heat-sensitive materials.

- ▶ Keep the product away from heat sources, such as heating pipes or open fires.

2. Description and function

This product is a greenhouse for the garden. The translucent construction creates a greenhouse effect inside and protects plants grown inside from cold, precipitation and storms. The greenhouse is equipped with a sliding door and a manually opened roof window, which allows you to regulate the climate inside. The product is supplied with a foundation.

3. Unpack and check

3.1 Unpacking the product

WARNING

Risk of suffocation from packaging material and from swallowing small parts.

- ▶ Dispose of the packaging material in the household waste according to regulations.
- ▶ Store the packaging and small parts required for repackaging away from moisture and out of reach of children.

NOTICE

Material damage.

Pointed, sharp and scratching objects can damage the product when opening the packaging.

- ▶ Do not use any pointed, sharp or scratching objects to open the packaging.
- ▶ Be careful with the following work.

1. Pull off tape and tie-down straps by hand or use scissors.
2. Set the box up with the directional arrows pointing up.
3. Open the packing carton.
4. Remove all parts from the box.
5. Lay the pieces side by side on a clear, soft, and level surface.
6. Check the scope of delivery for completeness and intactness, see chapter „**14. Part list**“ on page 34.

4. Select location

CAUTION

Risk of injury and damage to property.

- ▶ Set up the product properly and in a stable position.
- ▶ Do not connect 2 greenhouses to each other.

- ▶ Before selecting the site and foundation, check with the relevant authority in your state for any applicable building regulations and permits.
- ▶ The site should have the following characteristics:
 - the ground is level, dry and solid.
 - There are no obstacles above the ground, such as tree branches or power lines.
 - The minimum distance of 3 m to the next greenhouse as well as to other structures and property boundaries is observed.

Note: Secure the foundation properly in the ground, see chapter „6. Setting up“, before positioning and securing the rest of the greenhouse on it.



4.1 Installing the greenhouse on the wooden foundation


1. Attach the point foundation brackets evenly to the wooden frame, for example several post supports.
2. Drill several holes for the point foundations.
3. Fill the holes with grit and align the wooden frame horizontally.
4. Fill the holes with concrete and allow it to dry.
5. Place sand or grit under the foundation to prevent moisture from collecting under the foundation.


4.2 Installing the greenhouse on concrete slabs

1. Place several concrete slabs at the chosen installation site.
2. Slurry the concrete slabs.
3. When assembling the base, drill several holes in the concrete slabs and use the corresponding fastening material. If the sizes and distances of the holes are not known, they should be determined or transferred on the basis of the base strips etc.

5. Mounting



 CAUTION	
Material damage.	
	The following assembly steps should already be carried out on the foundation at the previously selected location in order to avoid cuts and bruises and to avoid damaging the product during transport.
	▶ Use suitable mounting material for fastening the base to concrete slabs.

NOTICE	
Damage to the product due to incorrect assembly.	
	▶ Assemble the product completely and safely.
	▶ Assemble the product with at least one second person.
	▶ Screw the screws hand-tight into the connecting holes and only tighten the screws in the last step to prevent the parts from jamming.

NOTICE	
Damage to the product due to folding away or tipping over.	
	During assembly, there is not yet sufficient stability to ensure that the side wall stands freely.
	▶ Support the side wall of the product with a beam or by a second person to prevent it from folding away or tipping over.



- ▶ Follow the assembly steps shown, observing the safety instructions, see „15. Assembly“ on page 37.

5.1 Mounting the multi-skin panels


 CAUTION	
Risk of crushing.	
	▶ When inserting the multi-skin panel, make sure that no limbs or other body parts are in the area of the guides.
	▶ Wear suitable protective gloves when inserting the multi-skin panel.

Note: Make sure that the multi-skin panel sits exactly in the guide of the struts.

5.2 Assemble the greenhouse

 CAUTION	
Risk of crushing.	
	▶ When putting the greenhouse together, make sure that no limbs or other body parts are between the greenhouse and the foundation.
	▶ Wear protective gloves and safety shoes when putting the greenhouse together.

6. Setting up

 **CAUTION**

Risk of injury due to the product tipping over.

- ▶ Set up the product properly and stable.
- ▶ Do not connect 2 greenhouses to each other.

- ▶ Place the product on a level, dry and solid surface.
- ▶ There must be no obstacles, such as tree branches, above the product.
- ▶ Keep a minimum distance of 3 m from the next greenhouse and other structures and do not connect 2 greenhouses together.

Choose one of the 2 options for a safe and firm stand of the product.

6.1 Sink the greenhouse into the ground

Easy and quick to install. Suitable for use in areas with less extreme weather conditions.

- ▶ Sink the 4 feet of the pre-assembled foundation completely into the ground.

Note: Use a rubber mallet, slab laying hammer or commercial hammer to drive the feet in, along with a board as a base to protect the material.

6.2 Set the greenhouse in concrete

Best option if you want your greenhouse to be fully secured.

- ▶ Sink the 4 feet of the pre-assembled foundation into one concrete base each in the ground.
- ▶ Allow the concrete to harden completely before mounting the rest of the greenhouse on the foundation.


7. Transport

 **CAUTION**

Risk of injury and material damage due to incorrect transport.


- ▶ Lift the product for transport with 1 person per corner, i.e. at least four people.
- ▶ Wear protective gloves during transport.

8. Use

 **CAUTION**

Risk of injury due to improper use.

- ▶ Only use the product as intended.
- ▶ Check the product for damage before use.

 **CAUTION**

Risk of crushing and trapping.

- ▶ When closing the roof window, make sure that no limbs are trapped.
- ▶ When opening and closing the sliding door, make sure that no limbs are in the danger zone.

NOTICE

Damage to the product due to strong weather.

- ▶ Always keep openings such as doors or windows closed in windy conditions.
- ▶ Disassemble the product if it will not be used for a long time and store it in a dark, cool and well-ventilated place.

9. Cleaning and maintenance

9.1 Cleaning

NOTICE

Damage caused by incorrect cleaning agents.

- ▶ Check the compatibility of the cleaning agent with the surface on an inconspicuous area.
- ▶ Do not use any organic solvents, boiling water, strong acids or alkaline cleaning agents for cleaning.

- ▶ Remove dust and light dirt with a damp cloth or a soft brush.
- ▶ Use a mild, non-flammable and food-safe cleaning agent or a cloth dampened with water for heavy soiling. Regular maintenance increases the safety and longevity of your product.
- ▶ Remove animal excrement, leaves, snow and other coarser dirt from the roof of the product regularly and immediately.
- ▶ Lubricate running surfaces and moving parts with a little lubricating spray.

9.2 Maintenance plan

Regular maintenance increases the safety and longevity of your product.

Before each use

Condition

- ▶ Check the general condition of the product for damage.

Fasteners

- ▶ Check whether any fasteners have become loose or deformed, and re-fasten if necessary.

10. Repairing

NOTICE

Damage due to improper repair

Self-locking screws and other attachments lose their effectiveness if they are replaced without screw locking again.

- ▶ Only use spare parts approved by the manufacturer or original ones.
- ▶ Only have repairs carried out by qualified personnel.

11. Disassembly

CAUTION

Risk of injury.

- ▶ Wear protective gloves during disassembly.

NOTICE

Material damage.

- ▶ Dismantle the product completely and safely.
- ▶ Disassemble the product with at least one second person.

- ▶ Disassemble the product in reverse order of assembly, see chapter „15. Assembly“ on page 38.

12. Store

NOTICE

Material damage due to incorrect storage.

- ▶ Store the product completely disassembled in a dark, cool, dry and well-ventilated place.
- ▶ Cover the dismantled product with a sheet or foil.
- ▶ Do not place any objects on the product.

13. Technical data

Designation	Value
Model:	Aluminium-greenhouse GH250F1
Art.-no.:	21044
Material greenhouse:	Aluminium, polycarbonate
Material foundation:	steel (zinc-plated)
Dimensions	
Base area:	4.75 m ²
Length:	253 cm
Width:	190 cm
Ridge height:	195 cm
Side height:	149 cm
Door:	62x164 cm
Roof window:	51x59 cm
Weight:	30 kg

14. Disposing

14.1 Packaging

The packaging material is recyclable.

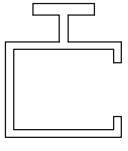
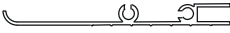

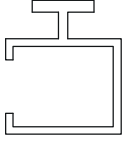

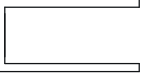

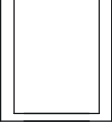

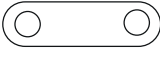
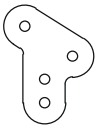

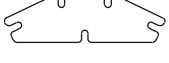
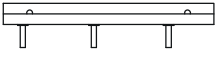
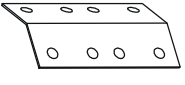
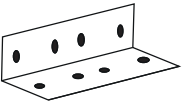
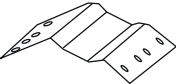
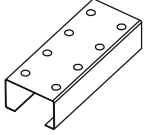


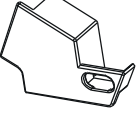
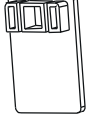
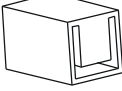
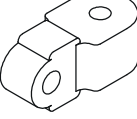
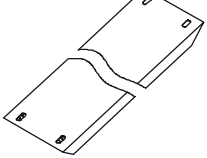
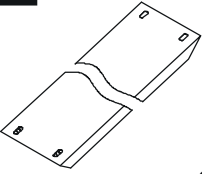
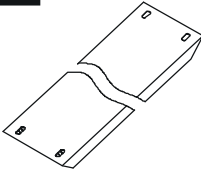
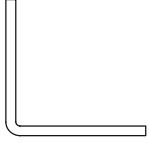


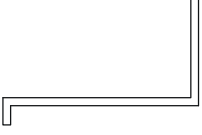
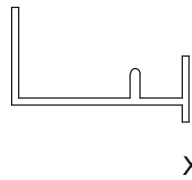

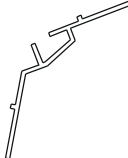
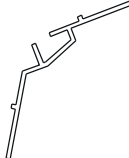
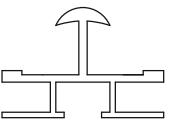
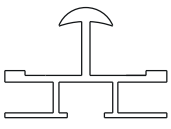
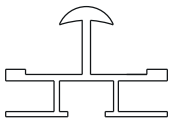
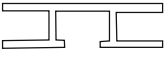
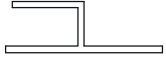
- ▶ Dispose of the packaging in an environmentally friendly manner and take it to the regional collection of recyclables.

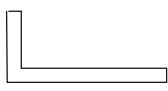
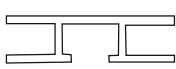
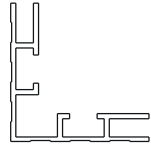
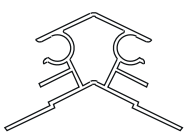
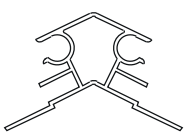
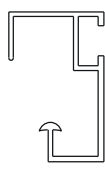
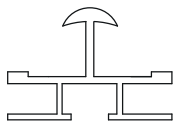
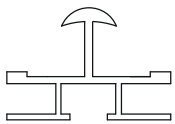


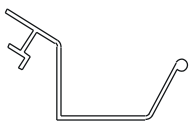
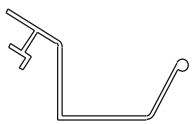
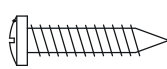
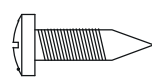
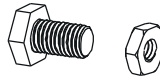
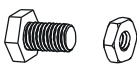
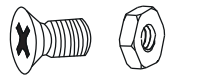

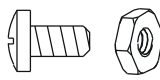
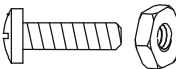
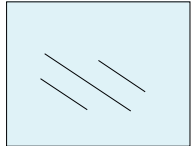
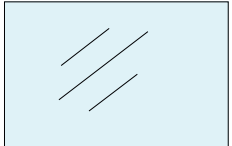
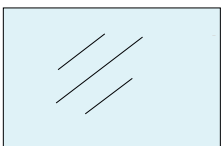
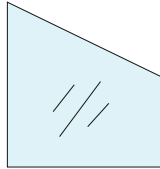
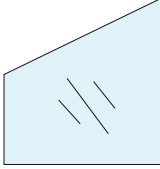
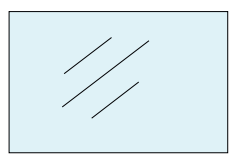
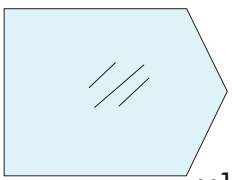

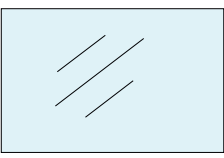
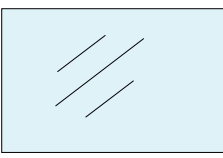
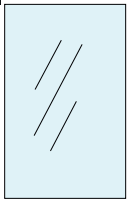
14.2 Product in general

This product does not belong in household waste. At the end of its service life, return it free of charge to the producer, point of sale or public collection points set up for this purpose. Details of disposal are regulated by the respective national law. Valuable materials are fed into the recycling cycle in order to gain new raw materials from them. The following recyclables are collected in municipal collection points:

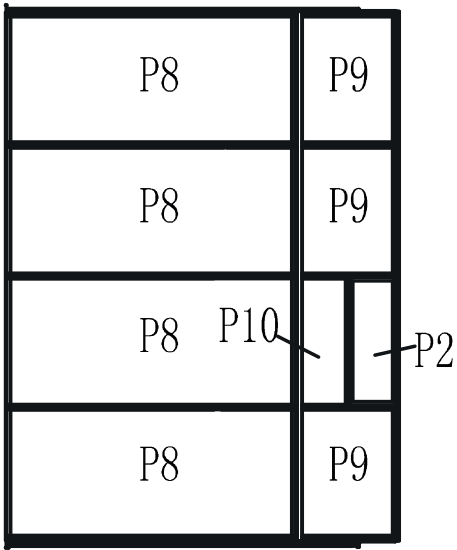
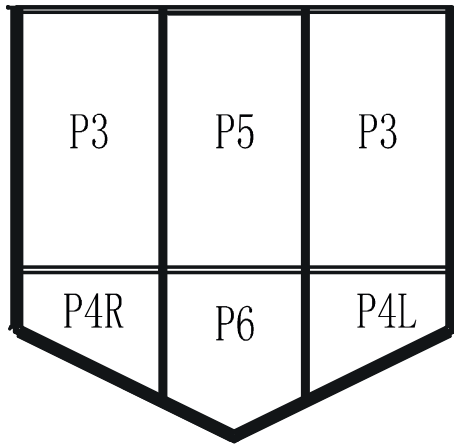
- Waste glass, plastics, scrap metal, sheet metal etc.

14. Teilleiste / Part list / Liste des pièces / Elenco parti / Lista de piezas

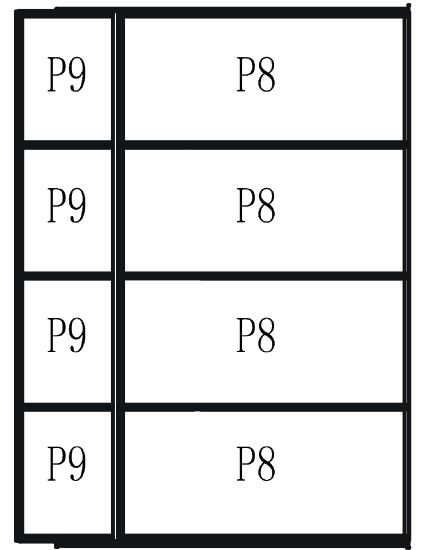
D1  x1	D2  x1	D3  x2	D4  x1	W1  x1
W2  x2	W3  x1	W4  x1	B2  x18	B3  x6
B4  x4	B5  x4	B6  x2	B7  x1	B8  x1
B9  x2	B10  x2	B11  x2	S5  x2	S6L  x2
S6R  x2	S7  x2	S8  x1	S9  x1	1  x2
2L  x2	2R  x2	3  x4	4L  x2	4R  x2
5  x1	6  x1	7  x4	8L  x2	8R  x2
9  x2	10L  x1	10R  x1	12  x5	13  x1

<p>14</p>  <p>x1</p>	<p>15</p>  <p>x1</p>	<p>16</p>  <p>x4</p>	<p>17L</p>  <p>x1</p>	<p>17R</p>  <p>x1</p>
<p>18</p>  <p>x1</p>	<p>19</p>  <p>x6</p>	<p>20</p>  <p>x6</p>	<p>22</p>  <p>x4</p>	<p>23</p>  <p>x4</p>
<p>25L</p>  <p>x2</p>	<p>25R</p>  <p>x2</p>	<p>F1</p>  <p>x8</p>	<p>F2</p>  <p>x4</p>	<p>F3</p>  <p>x32</p>
<p>F4</p>  <p>x126</p>	<p>F5</p>  <p>x40</p>	<p>F6</p>  <p>x2</p>	<p>F8</p>  <p>x1</p>	<p>F9</p>  <p>x1</p>
<p>P1</p>  <p>x2</p>	<p>P2</p>  <p>x1</p>	<p>P3</p>  <p>x4</p>	<p>P4L</p>  <p>x2</p>	<p>P4R</p>  <p>x2</p>
<p>P5</p>  <p>x1</p>	<p>P6</p>  <p>x1</p>	<p>P7</p>  <p>x1</p>	<p>P8</p>  <p>x8</p>	<p>P9</p>  <p>x7</p>
<p>P10</p>  <p>x1</p>				

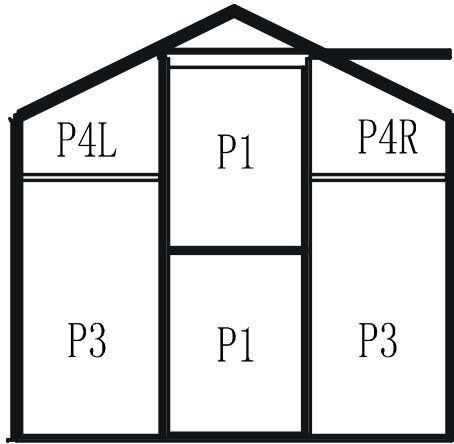
Back



Left



OUTSIDE VIEW

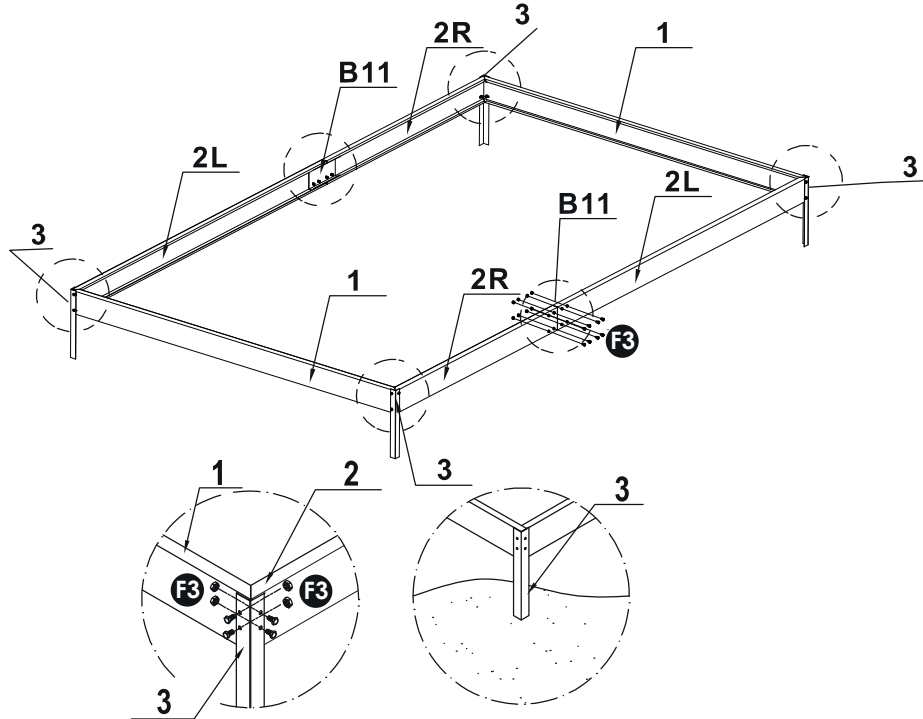
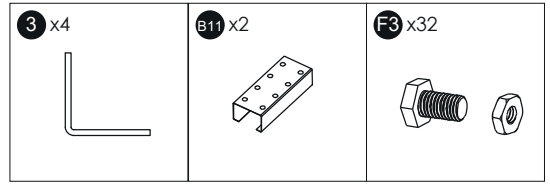


Front

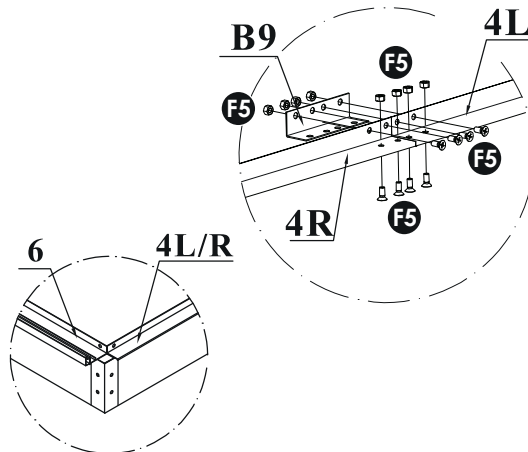
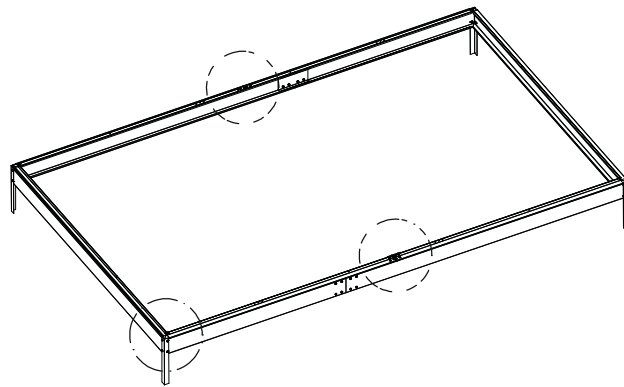
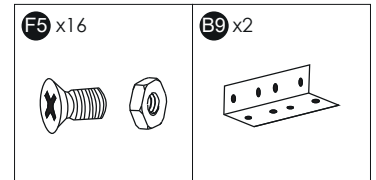
15. Montieren / Assembly / Montage / Montaggio / Montaje

DE
EN
FR
IT
ES

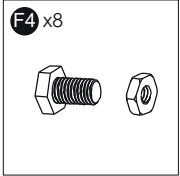
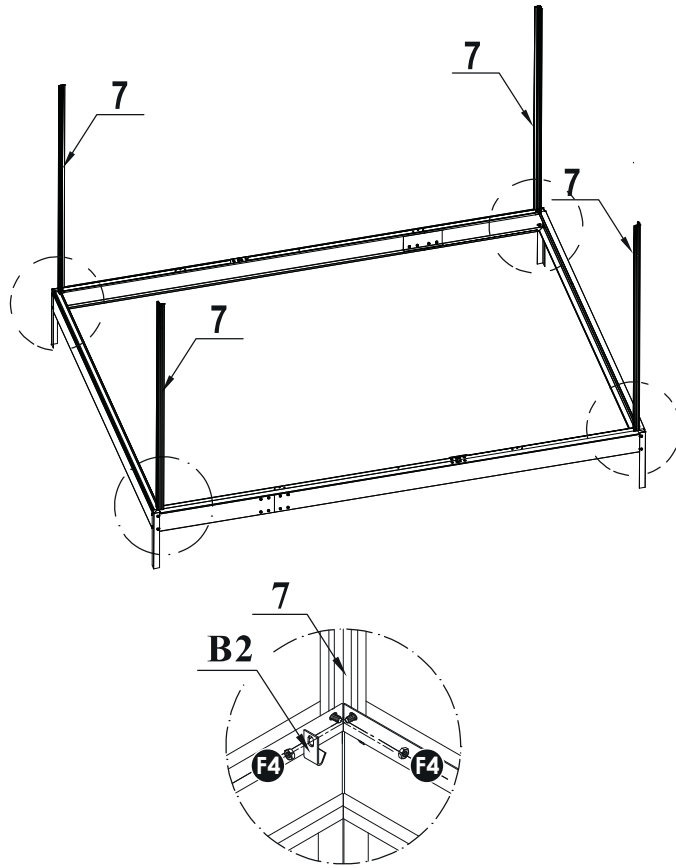
1



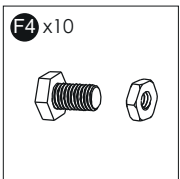
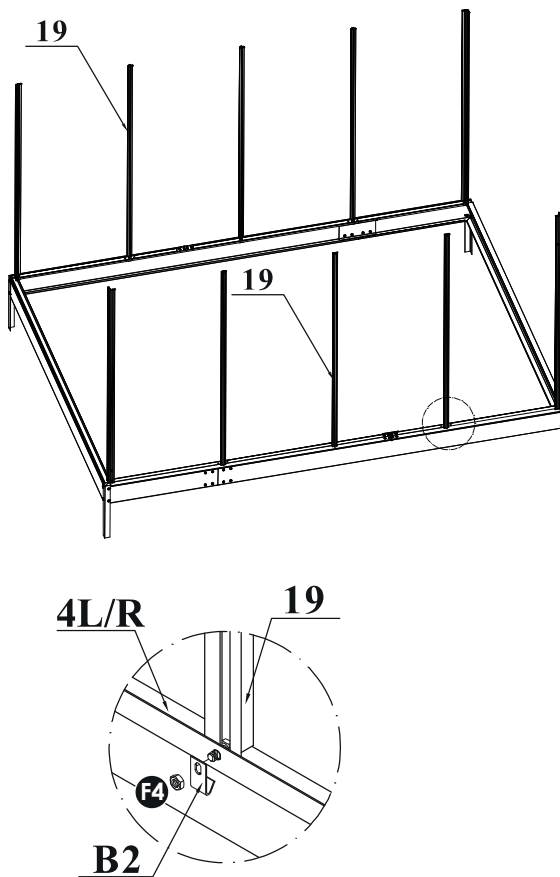
2



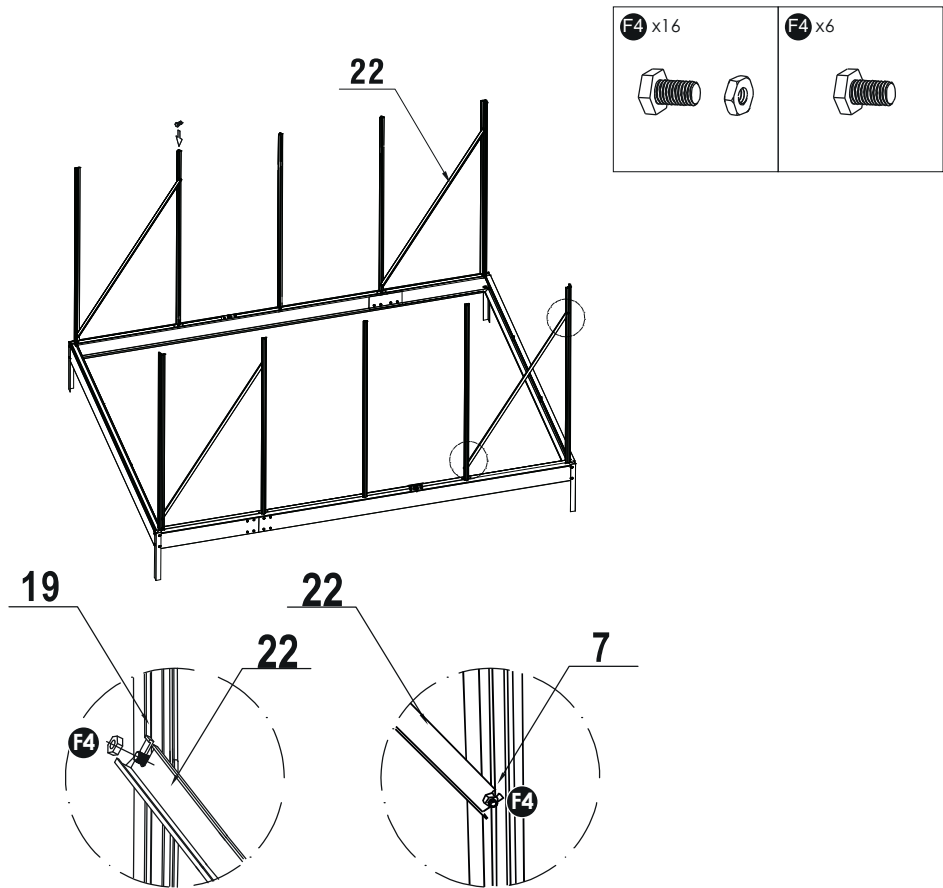
3



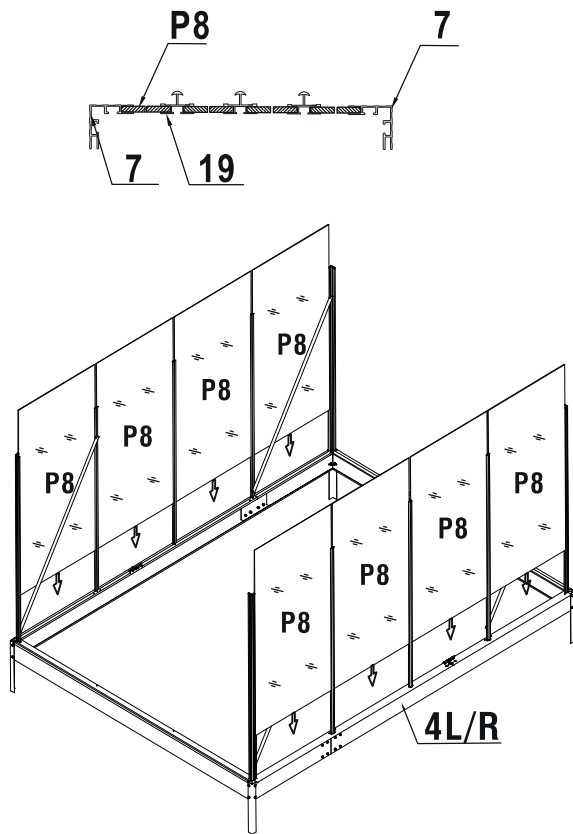
4



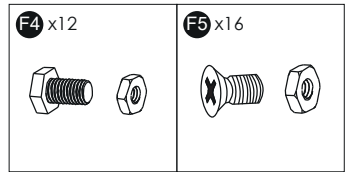
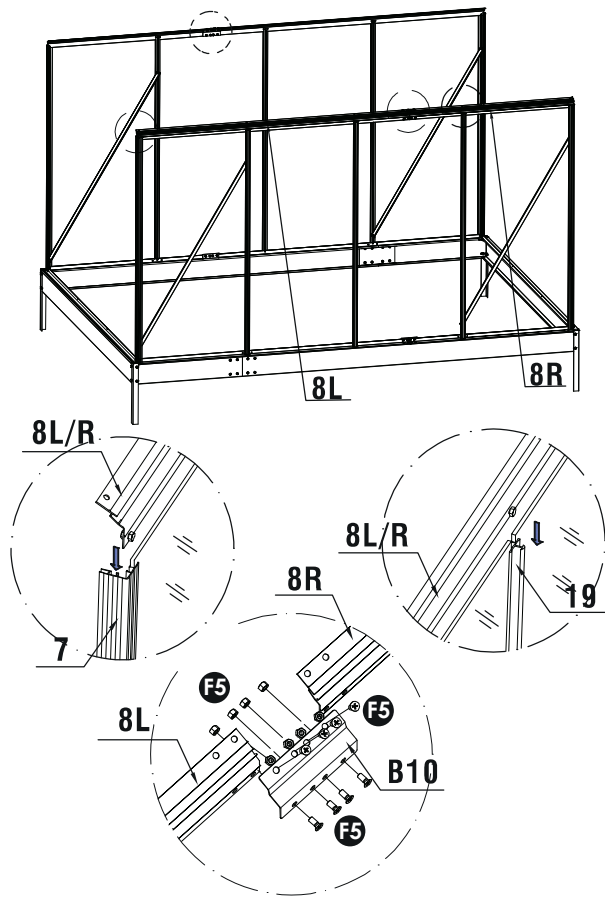
5



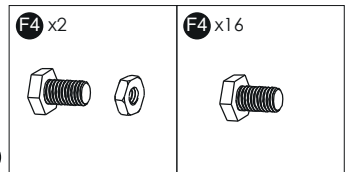
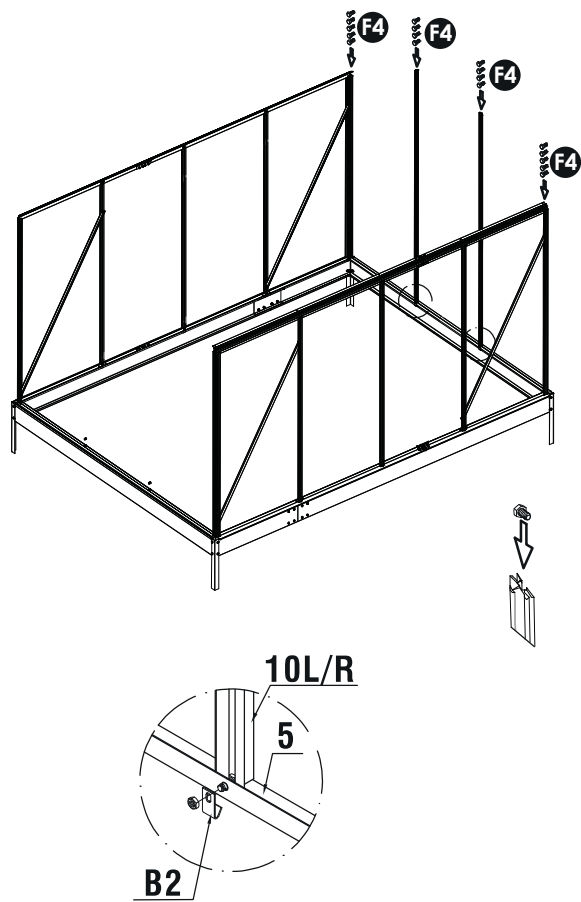
6



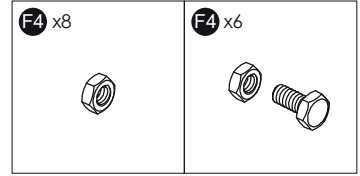
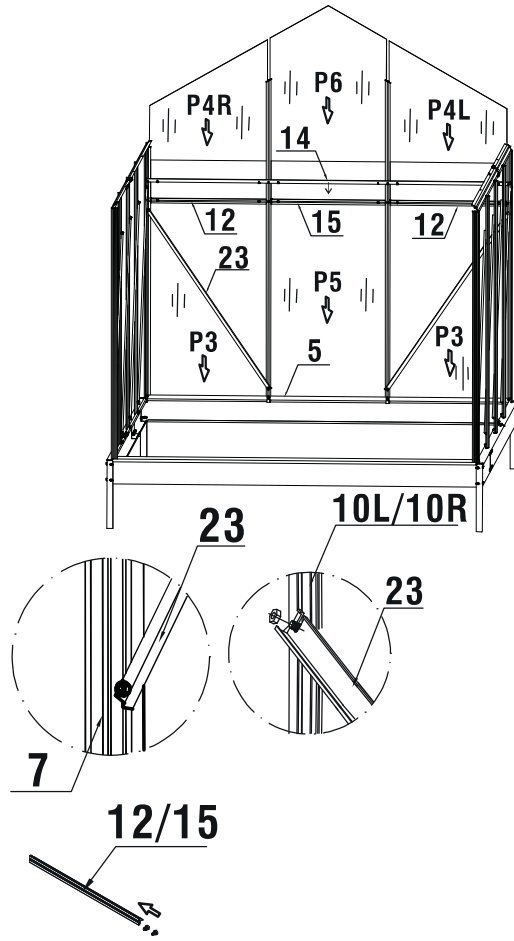
7



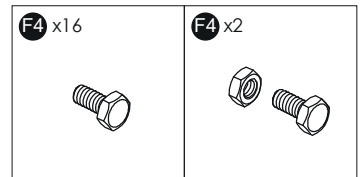
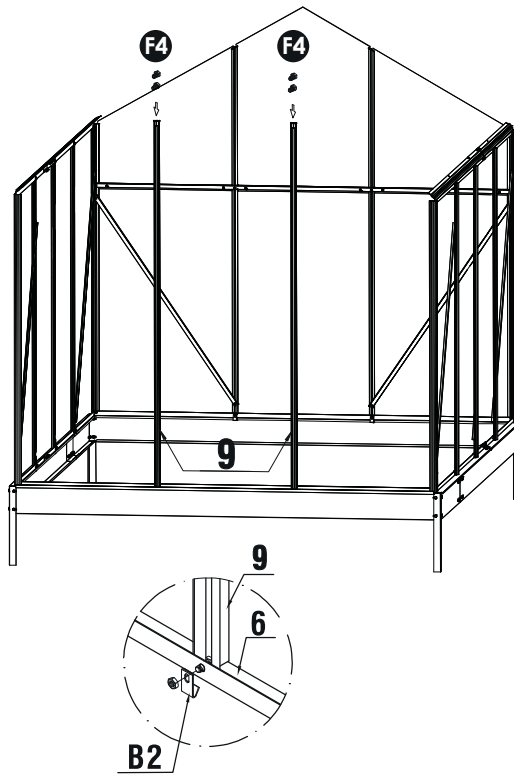
8



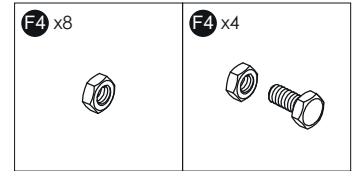
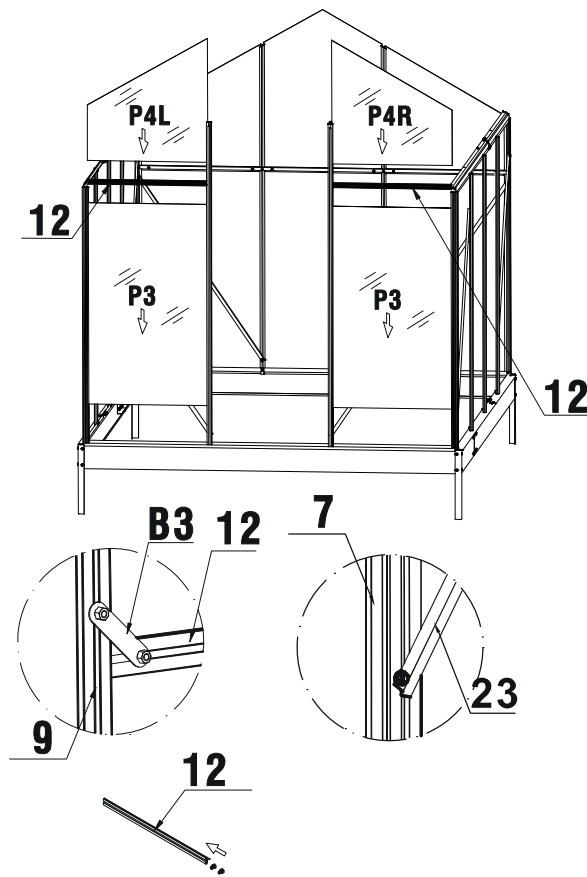
9



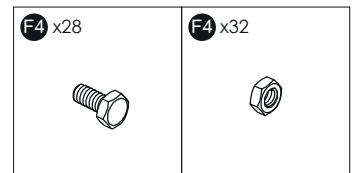
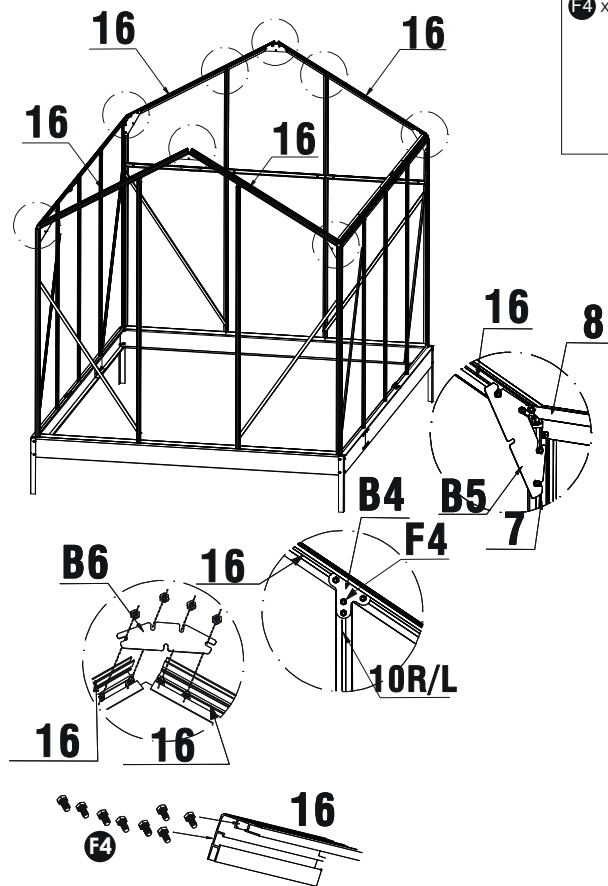
10



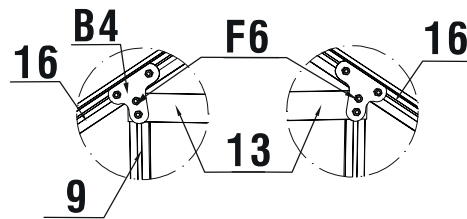
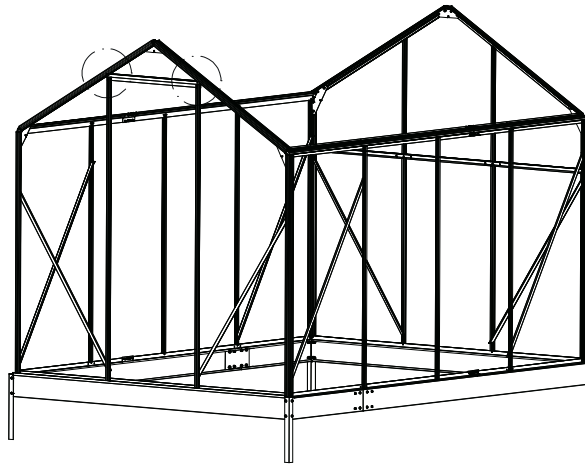
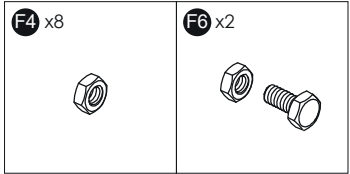
11



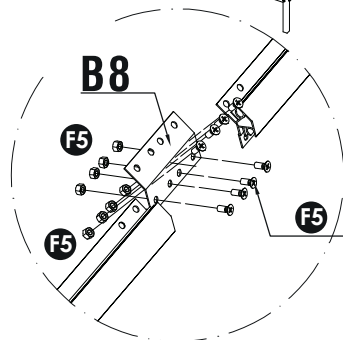
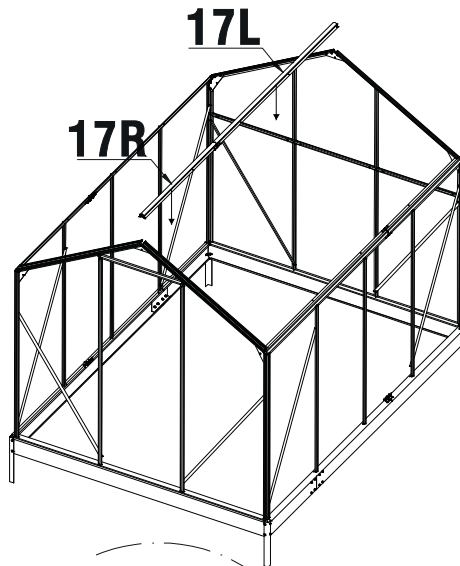
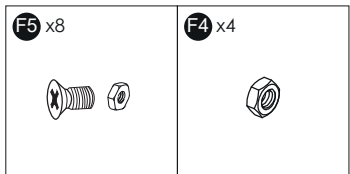
12



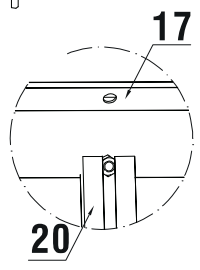
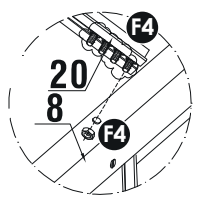
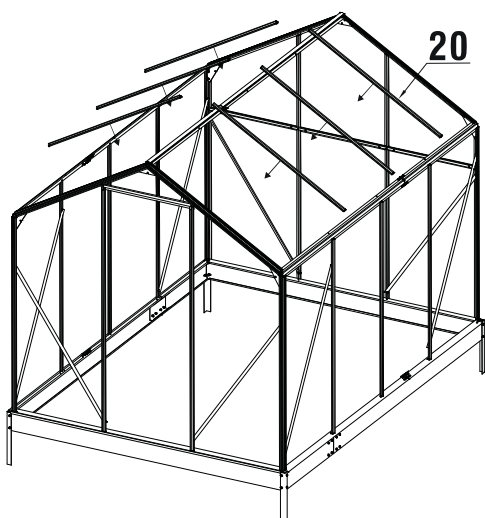
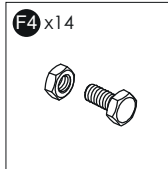
13



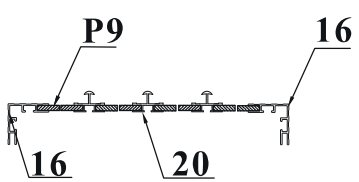
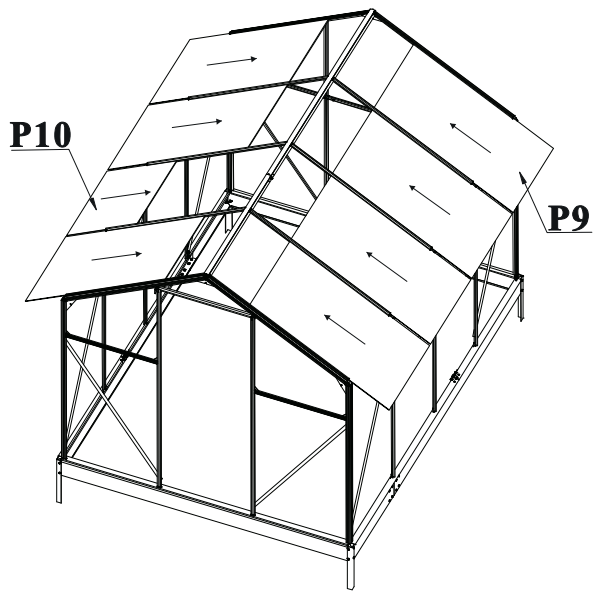
14



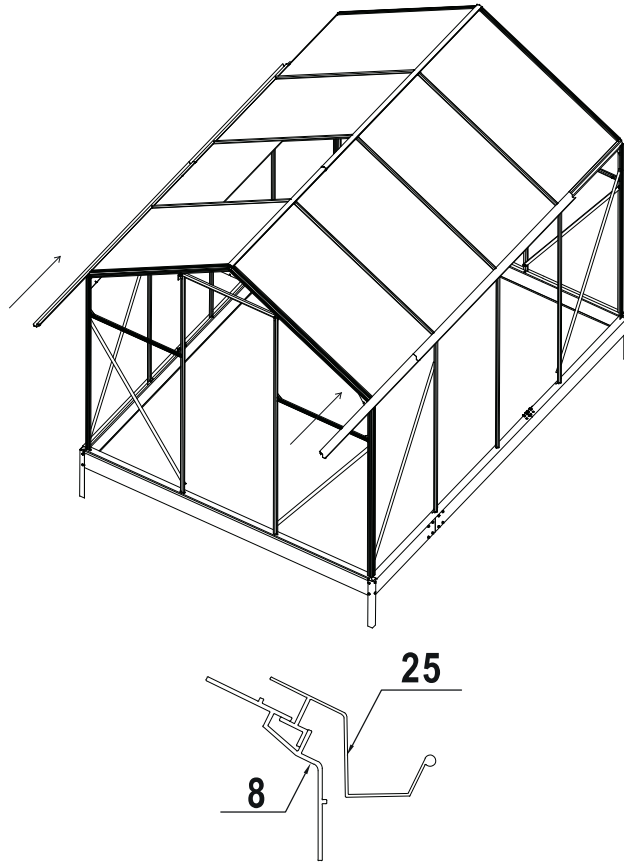
15



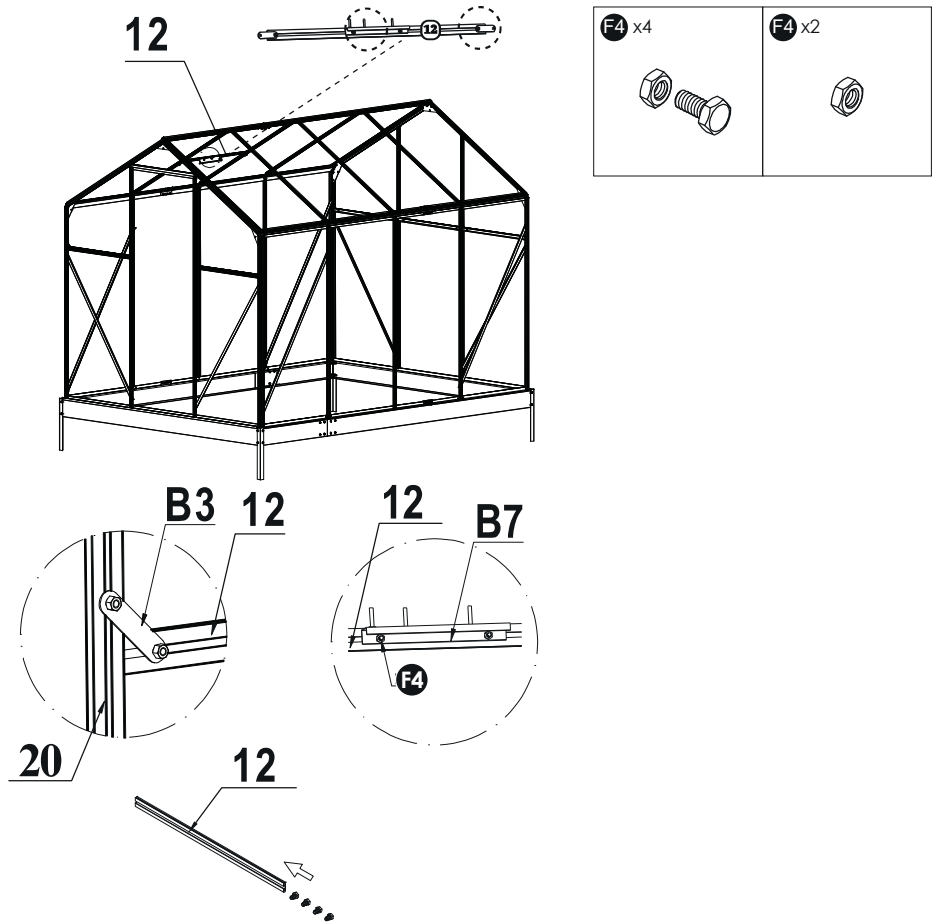
16



17

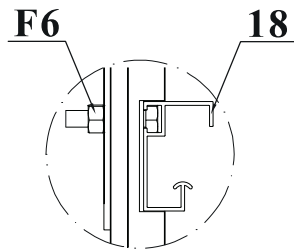
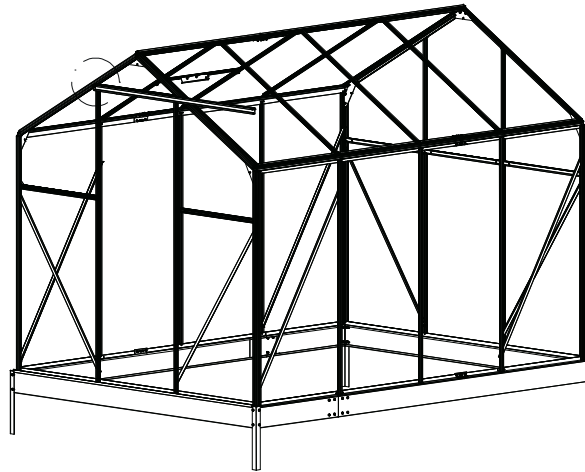
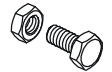


18



19

F4 x2



20

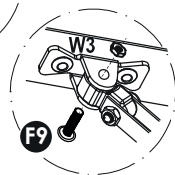
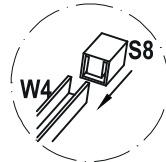
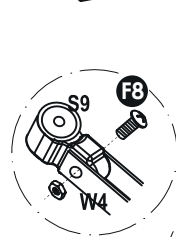
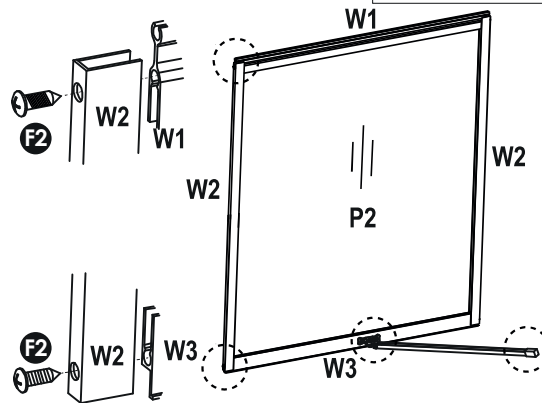
F2 x4



F8 x1

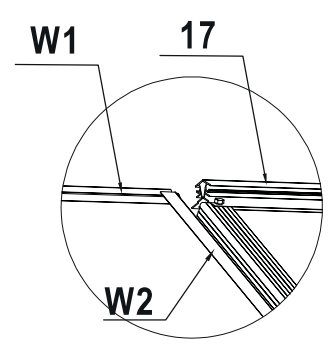
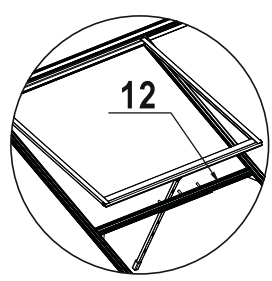
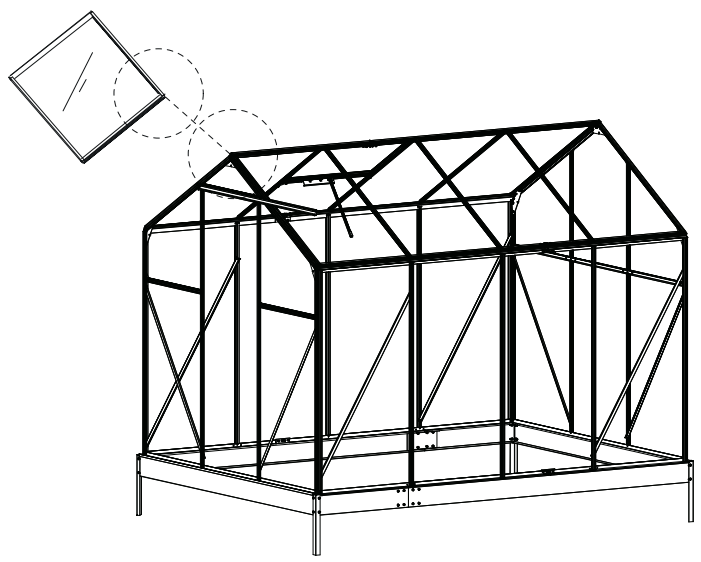


F9 x1

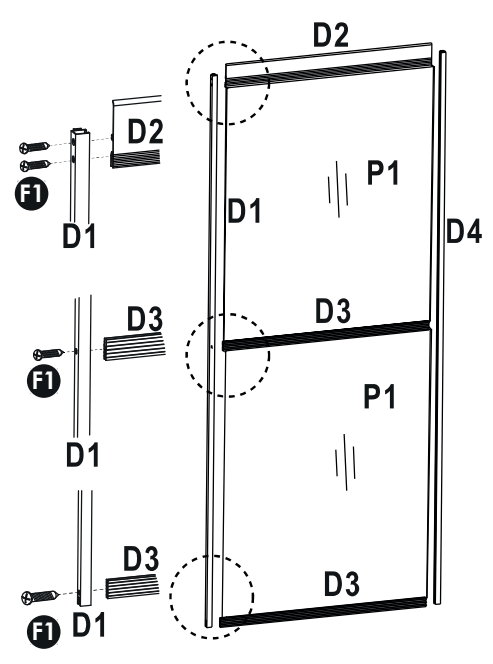


21

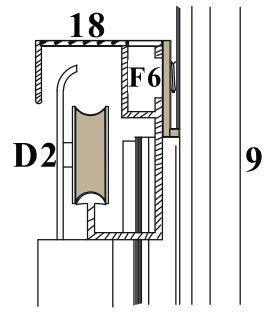
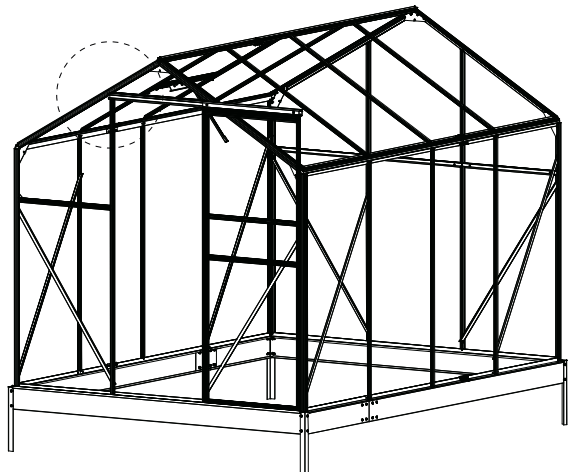
DE
EN
FR
IT
ES



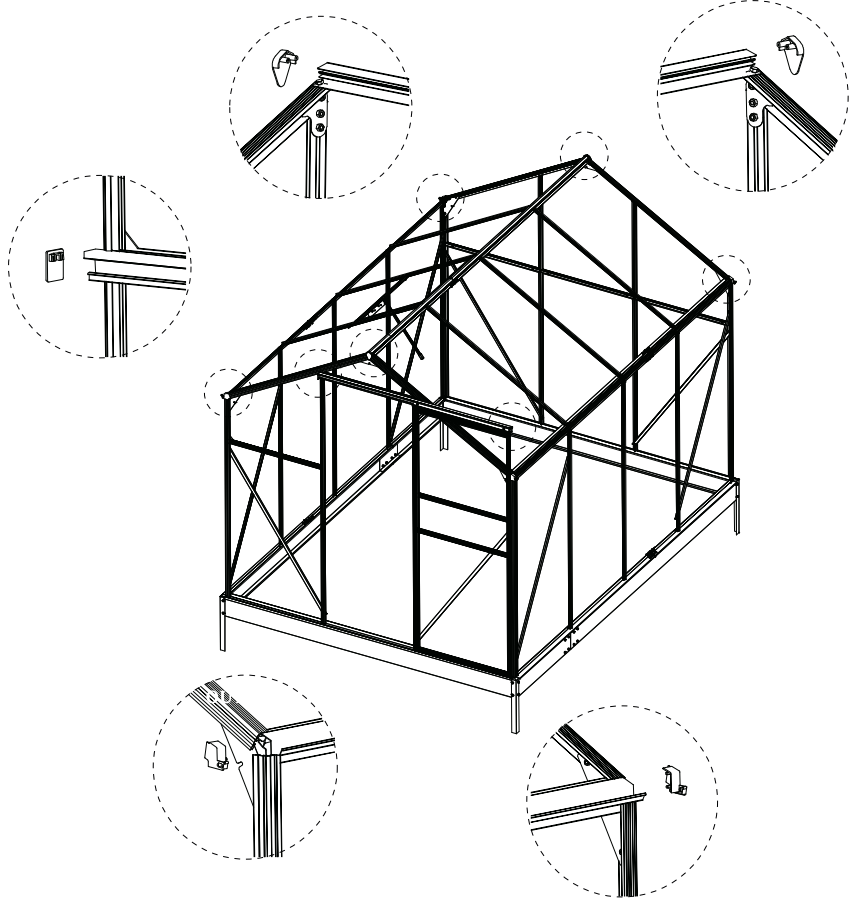
22

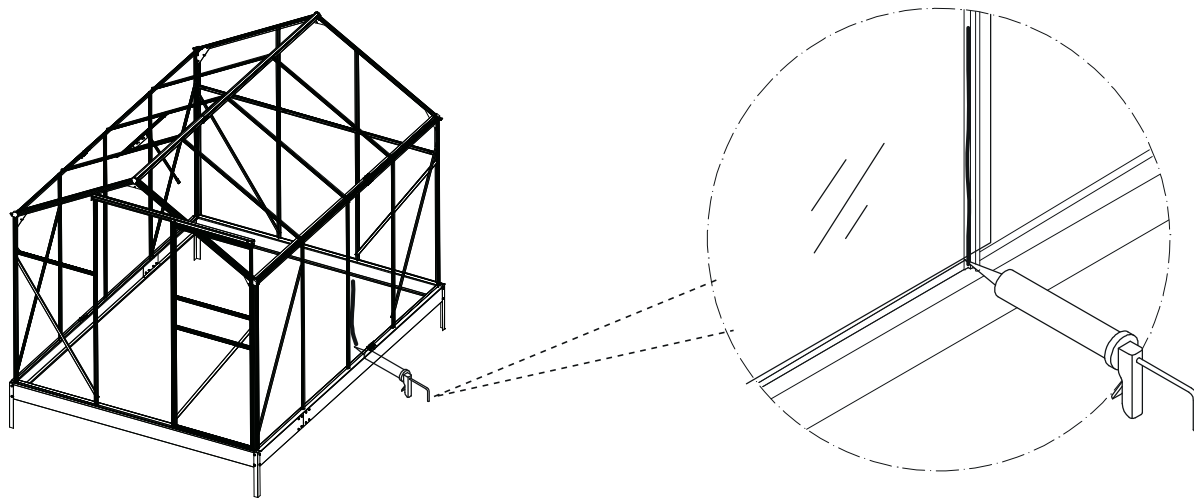


23



24





DE: HINWEIS / EN: ADVICE / FR: CONSEIL / IT: CONSIGLI / ES: CONSEJO:

DE: Für zusätzliche Festigkeit können Sie auch etwas Kleber oder Klebeband zwischen der Polycarbonatplatte und dem Aluminiumrahmen verwenden, um die Stabilität zu erhöhen.

Hinweis: Silikondichtmittel und Klebepistole sind nicht in unserem Werkzeugsatz enthalten. Sie können sie vor Ort kaufen. Verwenden Sie nur Silikondichtmittel, das für Aluminium geeignet ist.

EN: For additional strength, you can also use some glue or tape between the polycarbonate panel and the aluminium frame to enhance the stability.

Note: Silicone sealant and glue gun are not included in our tool kit. You can buy them locally. Only use silicone sealant suitable for aluminium.

FR: Pour plus de solidité, vous pouvez également utiliser de la colle ou du ruban adhésif entre le panneau en polycarbonate et le cadre en aluminium afin d'améliorer la stabilité.

Remarque : le mastic de silicone et le pistolet à colle ne sont pas inclus dans notre kit d'outils. Vous pouvez les acheter localement. N'utilisez que du mastic silicone adapté à l'aluminium.

IT: Per una maggiore resistenza, è possibile utilizzare della colla o del nastro adesivo tra il pannello in polycarbonato e il telaio in alluminio per aumentare la stabilità.

Nota: il sigillante al silicone e la pistola per colla non sono inclusi nel nostro kit di attrezzi. È possibile acquistarli in loco. Utilizzare solo sigillante siliconico adatto all'alluminio.

ES: Para una mayor resistencia, también puede utilizar un poco de pegamento o cinta adhesiva entre el panel de polycarbonato y el marco de aluminio para mejorar la estabilidad.

Nota: El sellador de silicona y la pistola de pegamento no están incluidos en nuestro kit de herramientas. Puede adquirirlos en su establecimiento. Utilice únicamente sellador de silicona apto para aluminio.